

SERVICE PARTS LIST FOR MITSUBISHI ELECTRIC PACKAGED AIR-CONDITIONERS

Series : CMB

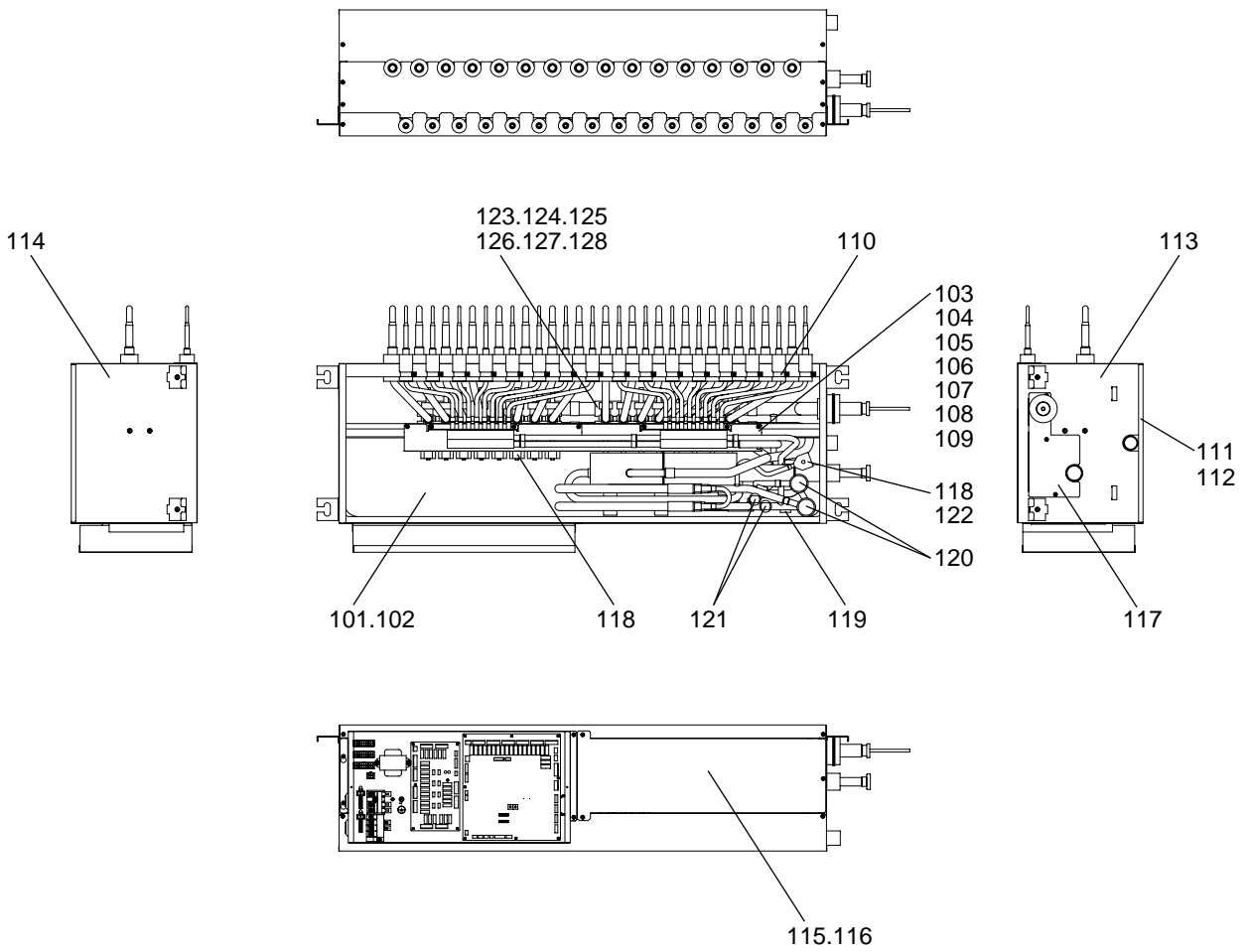
Feb. 2010

BWE09360

INDEX
CMB-P104V-G1
CMB-P105V-G1
CMB-P106V-G1
CMB-P108V-G1
CMB-P1010V-G1
CMB-P1013V-G1
CMB-P1016V-G1
CMB-P108V-GA1
CMB-P1010V-GA1
CMB-P1013V-GA1
CMB-P1016V-GA1
CMB-P104V-GB1
CMB-P108V-GB1
CMB-P1016V-HA1
CMB-P1016V-HB1

CMB-P104,P105,P106,P108V-G1
CMB-P1010,P1013,P1016V-G1

EXTERNAL PARTS & FUNCTIONAL PARTS (1)

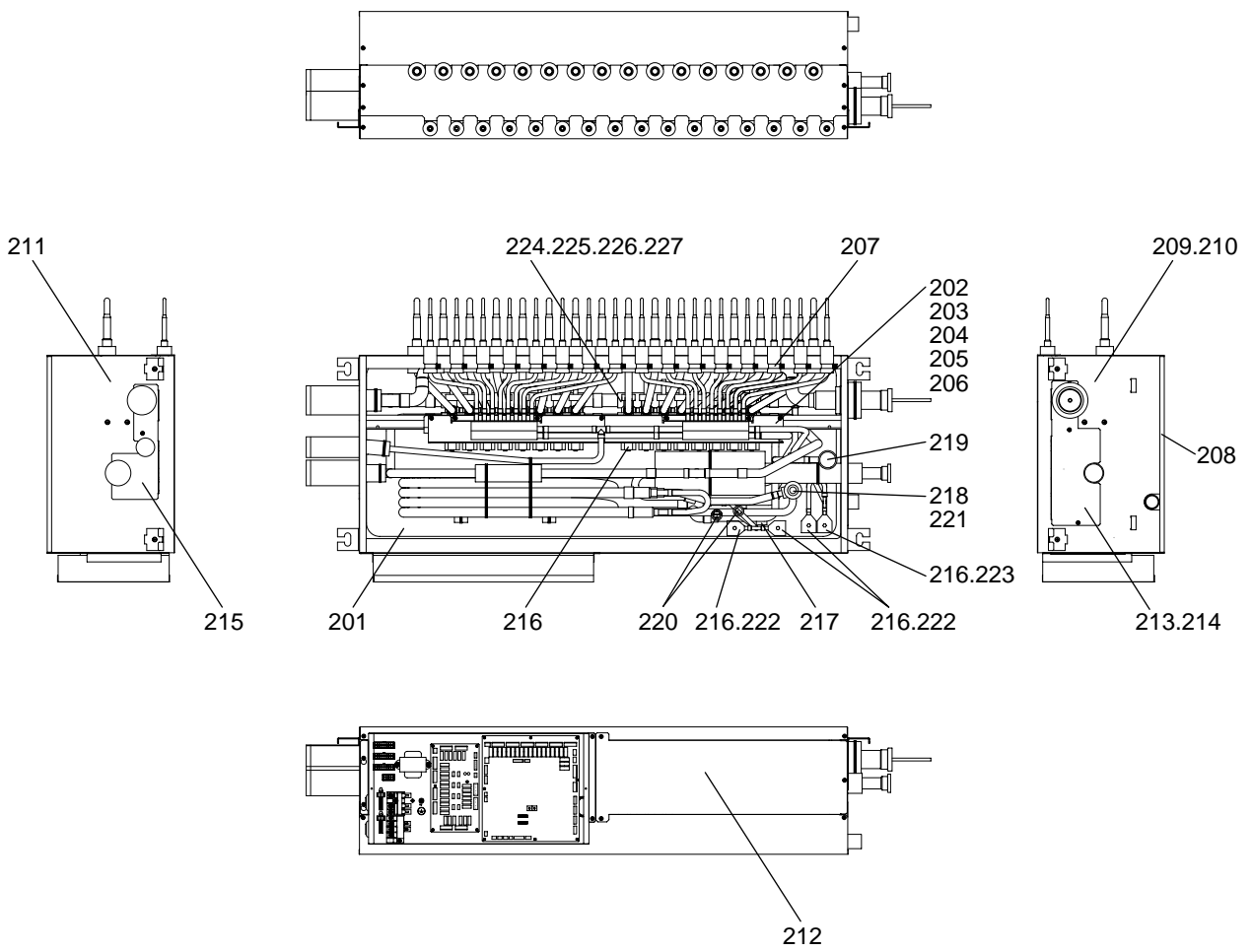


No.	Part No.	G : RoHS Apply Only W : RoHS Apply by Running Change		Spec.	CMB-P104V-G1	CMB-P105V-G1	CMB-P106V-G1	CMB-P108V-G1	CMB-P1010V-G1	CMB-P1013V-G1	Dwg. No.	Price	Revision History
		Part Name											
101	R63 H35 529	G	Drain pan		1	1	1	1	1		W256135G32		
102	R63 M82 529	G	Drain pan							1	W256135G33		
103	R61 077 690	G	Wire cover assy		1						KD00C549G01		
104	R61 078 690	G	Wire cover assy			1					KD00C549G02		
105	R61 079 690	G	Wire cover assy				1				KD00C549G03		
106	R61 080 690	G	Wire cover assy					1			KD00C549G04		
107	R61 081 690	G	Wire cover assy						1		KD00C549G05		
108	R61 082 690	G	Wire cover assy							1	KD00C550G01		
109	R61 083 690	G	Wire cover assy								KD00C550G02		
110	R63 H35 306	G	Fixture		4	5	6	8	10	13	W875562H01		
111	R63 M77 653	G	Panel U	F104	1	1	1	1	1		W646945H01		
112	R63 M82 653	G	Panel U	F1013						1	W646945H02		
113	R63 M77 662	G	Panel SL		1	1	1	1	1	1	W646947H04		
114	R61 055 651	G	Panel SR		1	1	1	1	1	1	KB02G981H01		
115	R63 M77 690	G	Cover B	F104	1	1	1	1	1	1	W893271H06		
116	R63 M82 690	G	Cover B	F1013						1	W893271H07		
117	R63 M77 667	G	Cover L		1	1	1	1	1	1	W893273H01		
118	R63 Y14 243	G	Solenoid valve coil		13	16	19	25	31	40	P472009X01		
119	R61 060 200	G	Thermistor		4	4	4	4	4	4	P418065X01		
120	R61 008 401	G	Linear expansion valve	EFM-A0YGMD-1	2	2	2	2	2	2	P632458X01		
121	R63 R34 288	G	Pressure sensor	HP R410A	2	2	2	2	2	2	P418015X01		
122	R63 4F3 232	G	Solenoid valve	ATS-C	1	1	1	1	1	1	P631290X01		
123			Solenoid valve	BSR24K	1								
124			Solenoid valve	BSR25K		1				1			
125			Solenoid valve	BSR26K			1						
126			Solenoid valve	BSR28K				1					
127			Solenoid valve	BSR210K					1				
128			Solenoid valve	BSR28KB						1			

<Note> The number 123~128 do not set service parts.
Because,the quality securing of them when exchanging parts is difficult.

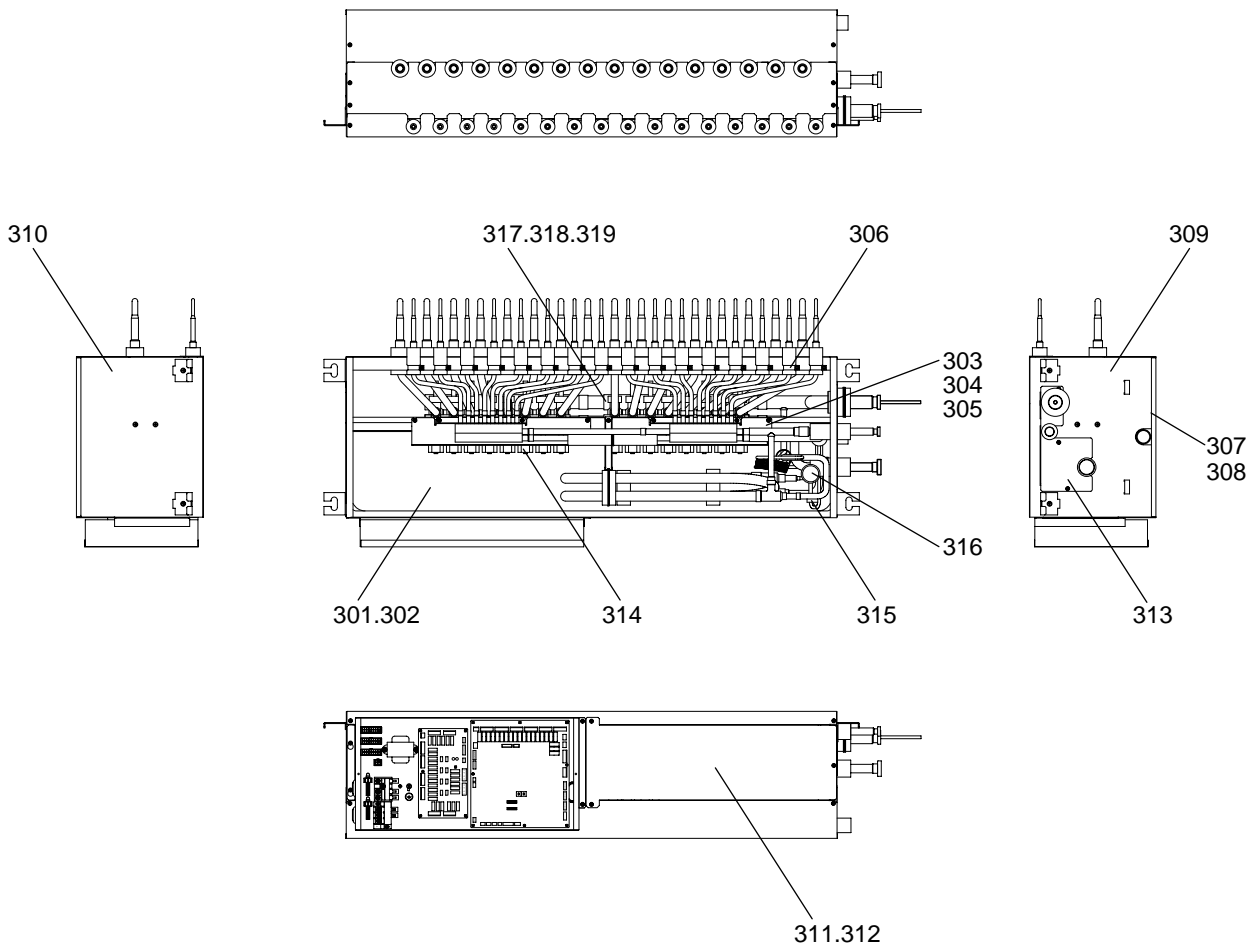
No.	Part No.	G : RoHS Apply Only W : RoHS Apply by Running Change		Spec.	CMB-P1016V-G1							Dwg. No.	Price	Revision History
			Part Name											
101	R63 H35 529	G	Drain pan									W256135G32		
102	R63 M82 529	G	Drain pan		1							W256135G33		
103	R61 077 690	G	Wire cover assy									KD00C549G01		
104	R61 078 690	G	Wire cover assy									KD00C549G02		
105	R61 079 690	G	Wire cover assy									KD00C549G03		
106	R61 080 690	G	Wire cover assy									KD00C549G04		
107	R61 081 690	G	Wire cover assy									KD00C549G05		
108	R61 082 690	G	Wire cover assy									KD00C550G01		
109	R61 083 690	G	Wire cover assy		1							KD00C550G02		
110	R63 H35 306	G	Fixture		16							W875562H01		
111	R63 M77 653	G	Panel U	F104								W646945H01		
112	R63 M82 653	G	Panel U	F1013	1							W646945H02		
113	R63 M77 662	G	Panel SL		1							W646947H04		
114	R61 055 651	G	Panel SR		1							KB02G981H01		
115	R63 M77 690	G	Cover B	F104								W893271H06		
116	R63 M82 690	G	Cover B	F1013	1							W893271H07		
117	R63 M77 667	G	Cover L		1							W893273H01		
118	R63 Y14 243	G	Solenoid valve coil		49							P472009X01		
119	R61 060 200	G	Thermistor		4							P418065X01		
120	R61 008 401	G	Linear expansion valve	EFM-A0YGMD-1	2							P632458X01		
121	R63 R34 288	G	Pressure sensor	HP R410A	2							P418015X01		
122	R63 4F3 232	G	Solenoid valve	ATS-C	1							P631290X01		
123			Solenoid valve	BSR24K										
124			Solenoid valve	BSR25K										
125			Solenoid valve	BSR26K										
126			Solenoid valve	BSR28K	1									
127			Solenoid valve	BSR210K										
128			Solenoid valve	BSR28KB	1									

<Note> The number 123~128 do not set service parts.
 Because,the quality securing of them when exchanging parts is difficult.



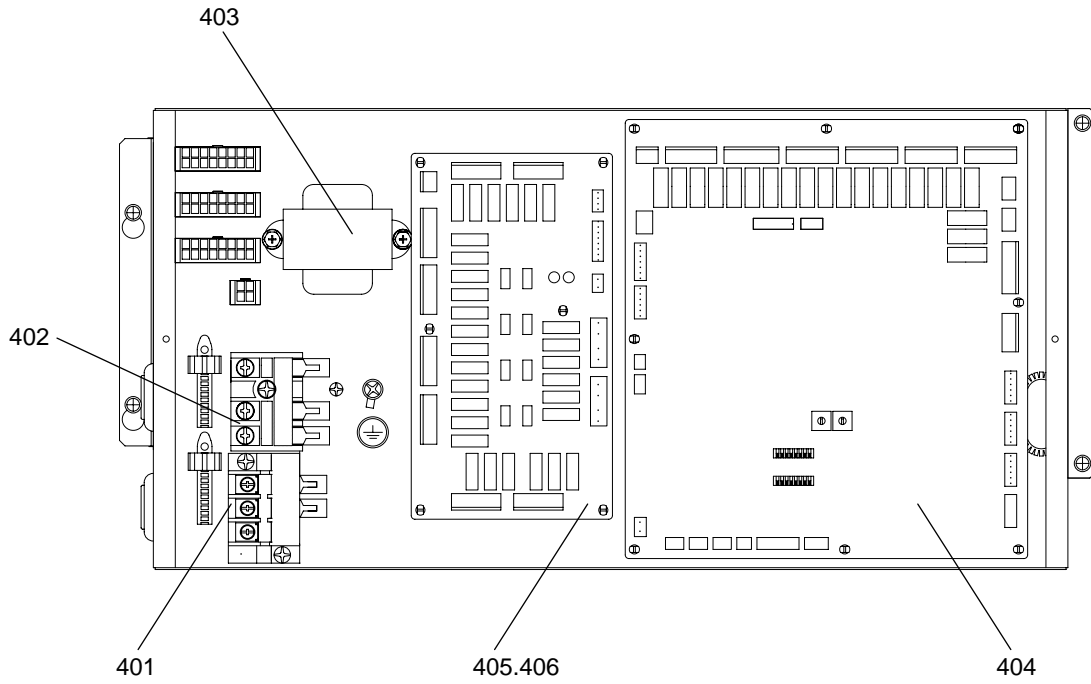
No.	Part No.	G : RoHS Apply Only W : RoHS Apply by Running Change		Spec.	CMB-P108V-GA1	CMB-P1010V-GA1	CMB-P1013V-GA1	CMB-P1016V-GA1	CMB-P1016V-HA1	Dwg. No.	Price	Revision History
		Part Name										
201	R63 M84 529	G	Drain pan	CMB-P-F	1	1	1	1	1	W122290G49		
202	R61 084 690	G	Wire cover assy		1					KD00C548G01		
203	R61 085 690	G	Wire cover assy			1				KD00C548G02		
204	R61 086 690	G	Wire cover assy				1			KD00C548G03		
205	R61 003 690	G	Wire cover assy					1		KD00C548G04		
206	R61 021 690	G	Wire cover assy	16HA					1	KB00G916G06		
207	R63 H35 306	G	Fixture		8	10	13	16	16	W875562H01		
208	R63 M84 653	G	Panel U	FA108	1	1	1	1	1	W646945H03		
209	R63 M80 662	G	Panel SL		1	1	1	1		W646935H03		
210	R61 052 651	G	Panel SL						1	KB02G897H01		
211	R61 053 651	G	Panel SR		1	1	1	1	1	KB02G979H01		
212	R63 M84 690	G	Cover B	FA108	1	1	1	1	1	W893271H08		
213	R63 M84 667	G	Cover L		1	1	1	1		W893268H01		
214	R61 023 690	G	Cover L						1	KB02H388H01		
215	R63 M84 668	G	Cover R	FA108	1	1	1	1	1	W893269H01		
216	R63 Y14 243	G	Solenoid valve coil		26	32	41	50	52	P472009X01		
217	R61 060 200	G	Thermistor		4	4	4	4	4	P418065X01		
218	R61 036 401	G	Linear expansion valve	PAM BBO20TON	1	1	1	1	1	P632504X01		
219	R61 008 401	G	Linear expansion valve	EFM-A0YGMD-1	1	1	1	1	1	P632458X01		
220	R63 R34 288	G	Pressure sensor	HP R410A	2	2	2	2	2	P418015X01		
221	R61 023 243	G	Solenoid coil	PAM2	1	1	1	1	1	P472062X01		
222	R63 4F3 232	G	Solenoid valve	ATS-C	1	1	1	1	3	P631290X01		
223	R63 Y07 232	G	Solenoid valve	ATS-A	1	1	1	1	1	P631291X01		
224			Solenoid valve	BSR28KB			1	1	1			
225			Solenoid valve	BSR210KA		1						
226			Solenoid valve	BSR25KA			1					
227			Solenoid valve	BSR28KA	1			1	1			

<Note> The number 224~227 do not set service parts.
Because, the quality securing of them when exchanging parts is difficult.

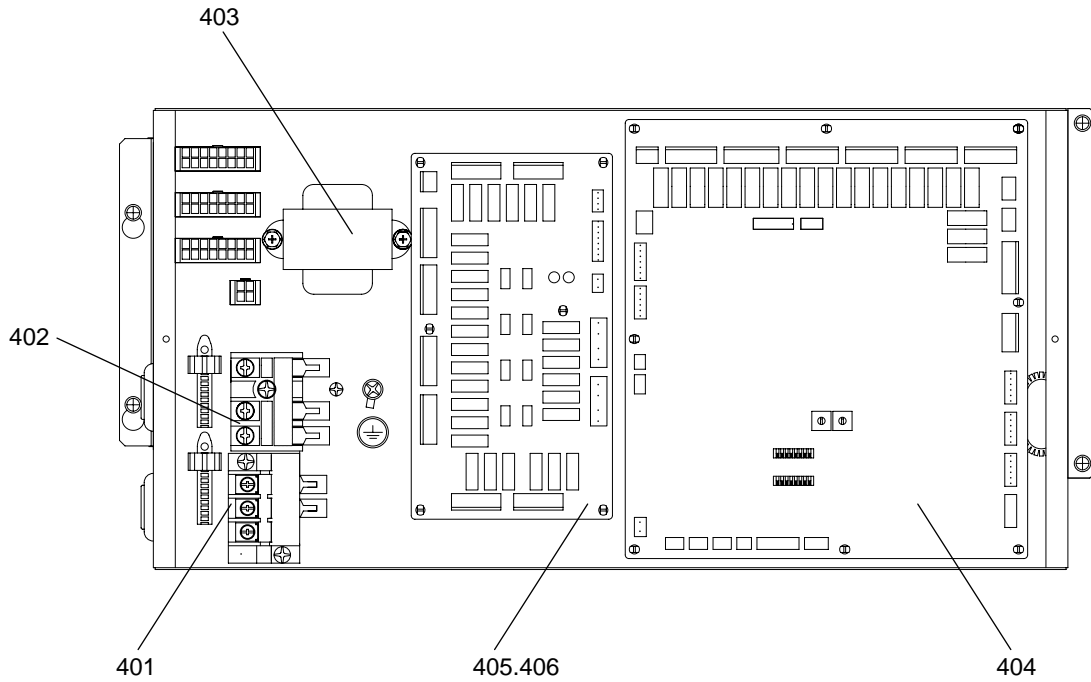


No.	Part No.	G : RoHS Apply Only W : RoHS Apply by Running Change		Spec.	CMB-P104V-GB1	CMB-P108V-GB1	CMB-P1016V-HB1	Dwg. No.	Price	Revision History
			Part Name							
301	R63 H35 529	G	Drain pan		1	1		W256135G32		
302	R63 M82 529	G	Drain pan				1	W256135G33		
303	R61 075 690	G	Wire cover assy		1			KD00C551G01		
304	R61 076 690	G	Wire cover assy			1		KD00C551G02		
305	R61 022 690	G	Wire cover assy	16HB			1	KB00G916G07		
306	R63 H35 306	G	Fixture		4	8	16	W875562H01		
307	R63 M77 653	G	Panel U	F104	1	1		W646945H01		
308	R63 M82 653	G	Panel U	F1013			1	W646945H02		
309	R61 054 651	G	Panel SL		1	1	1	KB02G980H01		
310	R61 055 651	G	Panel SR		1	1	1	KB02G981H01		
311	R63 M77 690	G	Cover B	F104	1	1		W893271H06		
312	R63 M82 690	G	Cover B	F1013			1	W893271H07		
313	R63 M88 668	G	Cover FB		1	1	1	W893270H01		
314	R63 Y14 243	G	Solenoid valve coil		12	24	48	P472009X01		
315	R61 060 200	G	Thermistor		2	2	2	P418065X01		
316	R61 009 401	G	Linear expansion valve	EFM-40YGMD-2	1	1	1	P632457X01		
317			Solenoid valve	BSR24K	1					
318			Solenoid valve	BSR28K		1	1			
319			Solenoid valve	BSR28KB			1			

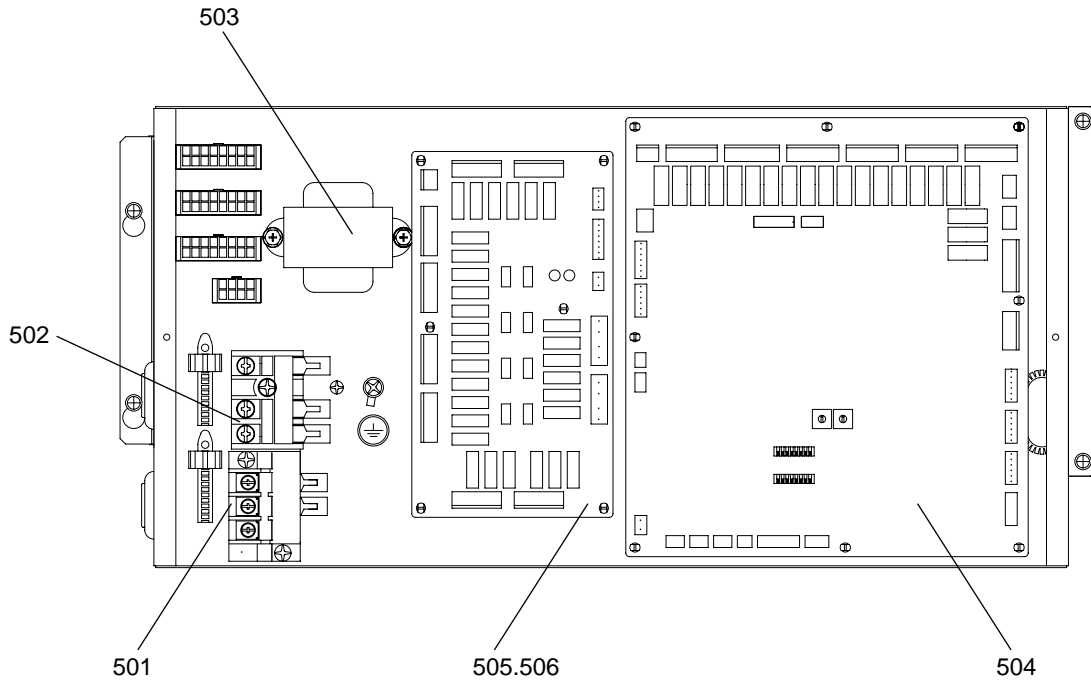
<Note> The number 317~319 do not set service parts.
Because, the quality securing of them when exchanging parts is difficult.



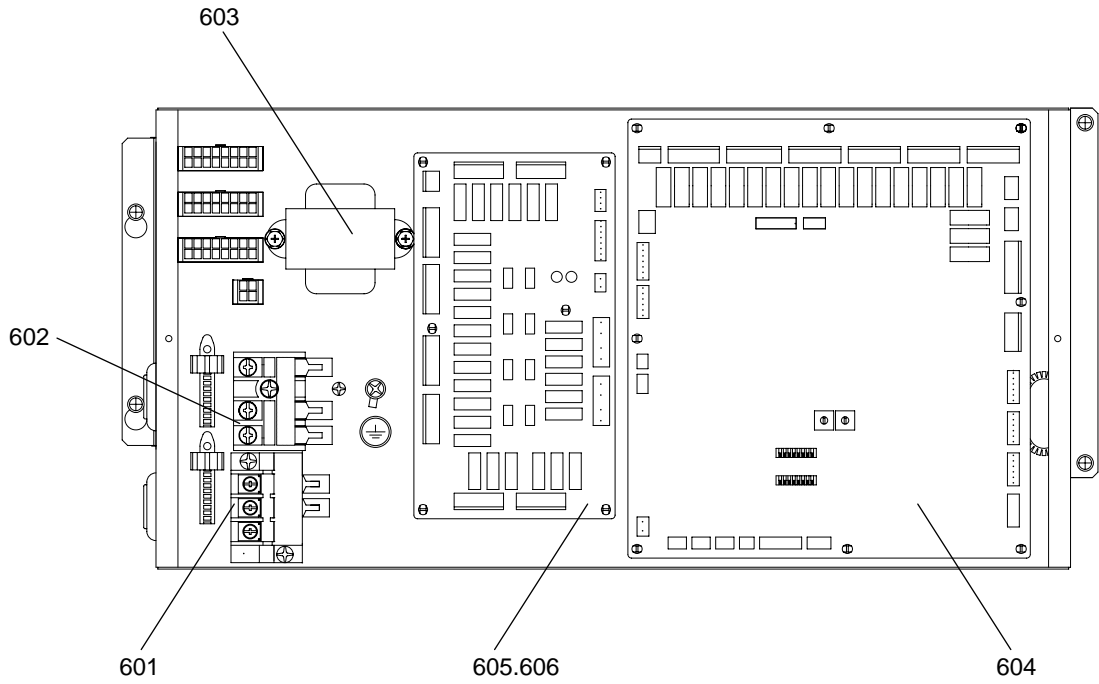
No.	Part No.	G : RoHS Apply Only W : RoHS Apply by Running Change		Spec.	CMB-P104V-G1	CMB-P105V-G1	CMB-P106V-G1	CMB-P108V-G1	CMB-P1010V-G1	CMB-P1013V-G1	Dwg. No.	Price	Revision History
			Part Name										
401	R63 Y02 715	G	Terminal block		1	1	1	1	1	1	W834188H02		
402	R63 979 247	G	Terminal block		1	1	1	1	1	1	P436238X01		
403	R61 026 260	G	Transformer		1	1	1	1	1	1	P715462X01		
404	R61 145 280	G	Board assy	BC-M02	1	1	1	1	1	1	W266227G10		
405	R63 M80 280	G	Board assy	RELAY4-10				1	1		W629542G01		
406	R63 M82 280	G	Board assy	RELAY10-16						1	W629543G01		



No.	Part No.	G : RoHS Apply Only W : RoHS Apply by Running Change		Spec.	CMB-P1016V-G1				Dwg. No.	Price	Revision History
			Part Name								
401	R63 Y02 715	G	Terminal block		1				W834188H02		
402	R63 979 247	G	Terminal block		1				P436238X01		
403	R61 026 260	G	Transformer		1				P715462X01		
404	R61 145 280	G	Board assy	BC-M02	1				W266227G10		
405	R63 M80 280	G	Board assy	RELAY4-10					W629542G01		
406	R63 M82 280	G	Board assy	RELAY10-16	1				W629543G01		



No.	Part No.	G : RoHS Apply Only W : RoHS Apply by Running Change		Spec.	CMB-P108V-GA1	CMB-P1010V-GA1	CMB-P1013V-GA1	CMB-P1016V-GA1	CMB-P1016V-HA1	Dwg. No.	Price	Revision History
			Part Name									
501	R63 Y02 715	G	Terminal block		1	1	1	1	1	W834188H02		
502	R63 979 247	G	Terminal block		1	1	1	1	1	P436238X01		
503	R61 026 260	G	Transformer		1	1	1	1	1	P715462X01		
504	R61 145 280	G	Board assy	BC-M02	1	1	1	1	1	W266227G10		
505	R63 M80 280	G	Board assy	RELAY4-10	1	1				W629542G01		
506	R63 M82 280	G	Board assy	RELAY10-16	1	1	1	1	1	W629543G01		



No.	Part No.	G : RoHS Apply Only W : RoHS Apply by Running Change		Spec.	CMB-P104V-GB1	CMB-P108V-GB1	CMB-P1016V-HB1			Dwg. No.	Price	Revision History
			Part Name									
601	R63 Y02 715	G	Terminal block		1	1	1			W834188H02		
602	R63 979 247	G	Terminal block		1	1	1			P436238X01		
603	R61 026 260	G	Transformer		1	1	1			P715462X01		
604	R61 145 280	G	Board assy	BC-M02	1	1	1			W266227G10		
605	R63 M80 280	G	Board assy	RELAY4-10		1				W629542G01		
606	R63 M82 280	G	Board assy	RELAY10-16			1			W629543G01		

